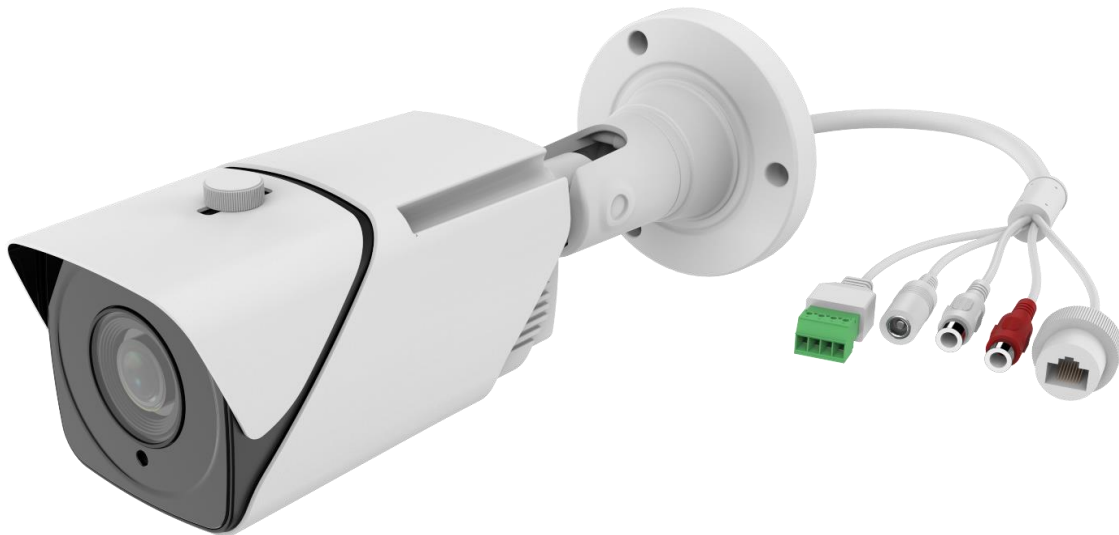


5MP LICENSE PLATE LPR IP AI+ MOTORIZED LONG RANGE BULLET POE CAMERA

Model #: IPC-LBVL5MPZ-AI(II)-C



Features:

- 5MP 2592(H)×1944(V)
- License Plate Recognition
- H.265+ H.264+ Ready, H.264. MJPEG
- 3D DNR, BLC, WDR, ICR, SD Slot
- Night Vision: Up to 250 ft
- 5-50MM Motorized Lens
- IP66 Rating
- Metal housing & Bracket
- True Day/Night
- AI+ Include Face Recognition(FR) Human & Vehicle



Detection(PD&VD) Perimeter Intrusion Detection(PID) Line Crossing
Detection(LCD) Cross Counting(CC) Stationary Object Detection(SOD)
Heat Map(HM) Crowd Density Detection(CD) Queue Length
Detection(QD) License Plate Detection(LPD) Rare Sound Detection(RSD)

We reserve the right to modify product design and specification without notice and without incurring any obligation

For more information please contact a DSS Sales Representative

Toll Free: 1.888.467.8812 · Fax: 1.609.431.0932 · Email: sales@dss-cctv.com

www.dssdepot.com

Technical Specifications

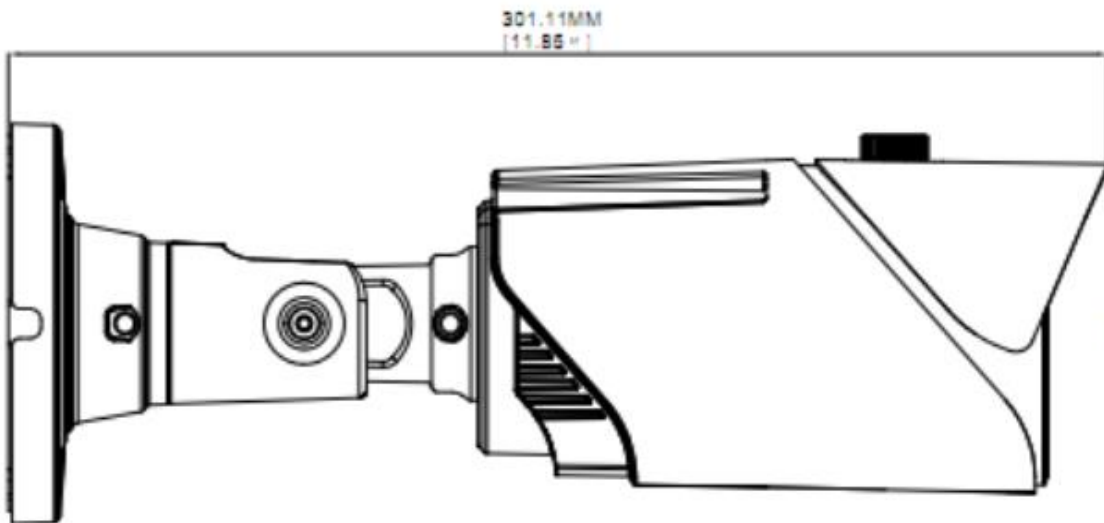
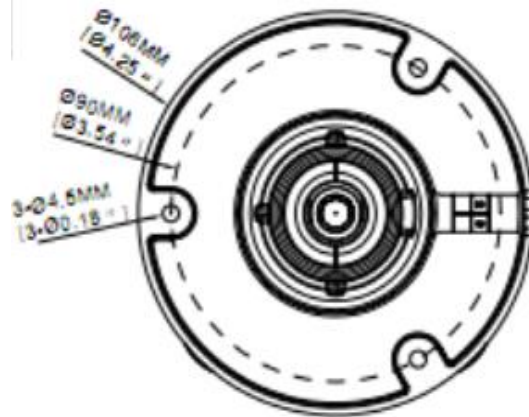
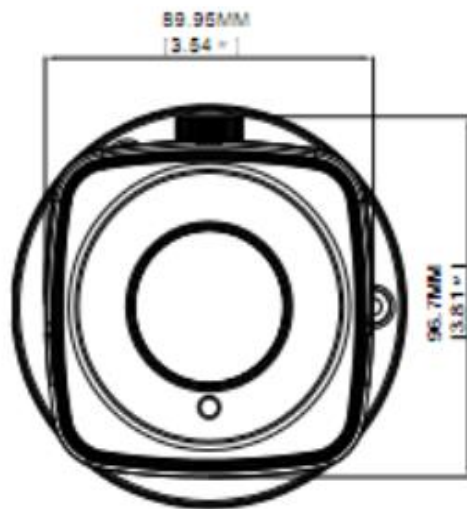
Model No.	IPC-LBVL5MPZ-AI(II)-C
Camera	
Image sensor	1/2.7" Progressive CMOS
Min. illumination	Color 0.003lux @ F1.6(AGC ON) ; B/W 0 lux @ IR ON
Shutter time	1/3s ~ 1/20,000s
Lens	Motorized 5-50mm @F2.0 Angle of view: 45°-7°
Lens mount	M12
Day & night	IR cut filter with auto switch
Digital noise reduction	3D DNR
Wide dynamic range	True WDR
Two Way Audio	Audio Cable
Compression Standard	
Video compression	H.264 / MJPEG / H.264+/H.265+
H.264 codec profile	Main profile
Bit rate	32 Kbps ~ 16 Mbps
Dual streams	Support
Image	
Max. Image Resolution	5MP 2592(H)×1944(V)
Frame rate	60Hz: (1~30fps)5MP(2592×1944),4MP(2592×1520) 3MP(2048×1520),1080P(1920×1080) 960P(1280×960), 720P(1280×720)
Image settings	Rotate Mode, Saturation, Brightness, Contrast Sharpness adjustable by client software or web browse
BLC	Yes, zone configurable
ROI Codec	Support
Network	
Network storage	NAS (Support NFS,SMB/CIFS), ANR
Alarm trigger	Motion detection, tampering alarm, network disconnect, IP address conflict, storage exception
Protocols	TCP/IP, UDP, ICMP, HTTP, HTTPS, FTP, DHCP, DNS, DDNS, RTP, RTSP, RTCP,PPPoE, NTP, UPnP, SMTP, SNMP, IGMP, 802.1X, QoS, IPv6
Interoperability	ONVIF(Profile S/G/T), PSIA, CGI, ISAPI
Security	User Authentication, watermark
Interface	
Communication interface	1 RJ45 10 M / 100 M Ethernet interface
Web Browser	Edge, Firefox, Chrome
P2P Connection	Built in
Mobile App	RXCAMVIEW Android/iPhone
On-Board Storage	Up to 256GB
General	
Operating conditions	(-22°F ~ 140 °F) humidity 95% or less (non-condensing)
Power supply	12 VDC ± 10% , PoE (802.3af)
Power consumption	Max. 7W (Max 10W with IR cut filter on)
Weather proof rating	IP66
IR range	Up to 250 ft
White Light	N/A
Dimension	3.5"x 3.5" x 12"
Weight	3.15 lbs

We reserve the right to modify product design and specification without notice and without incurring any obligation

For more information please contact a DSS Sales Representative

Toll Free: 1.888.467.8812 · Fax: 1.609.431.0932 · Email: sales@dss-cctv.com

www.dssdepot.com



We reserve the right to modify product design and specification without notice and without incurring any obligation

For more information please contact a DSS Sales Representative
Toll Free: 1.888.467.8812 · Fax: 1.609.431.0932 · Email: sales@dss-cctv.com
www.dssdepot.com